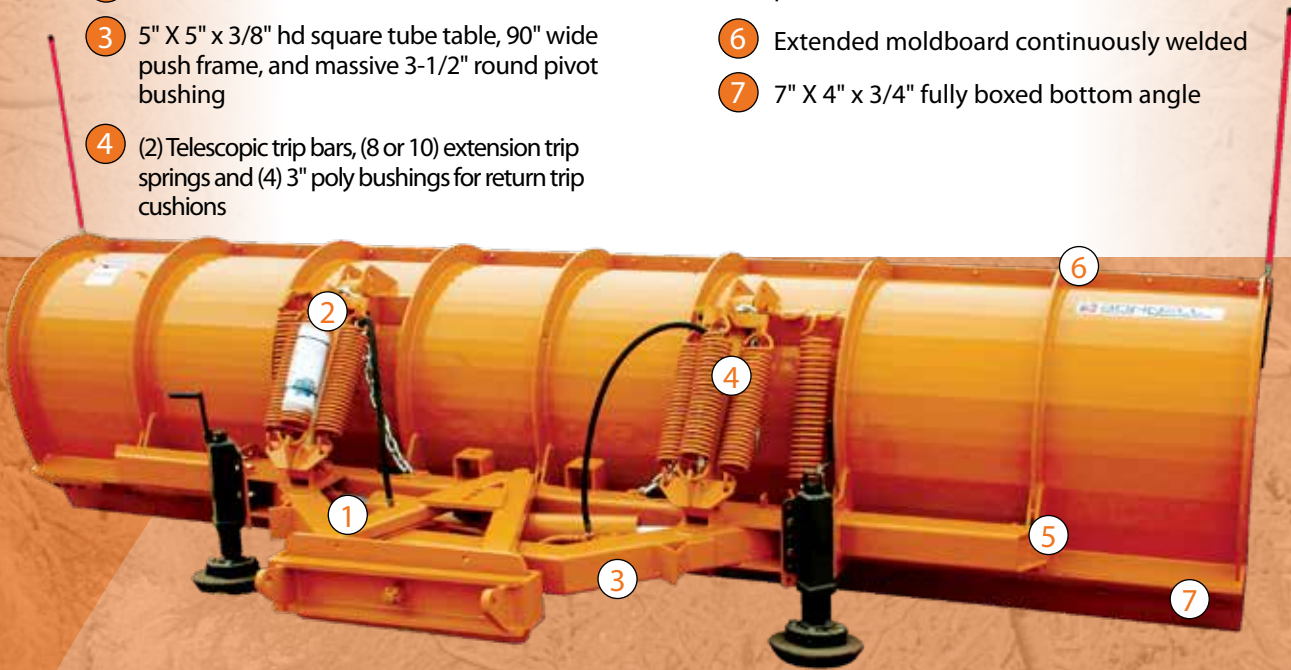


# HIGH COUNTRY AIRPORT PLOW

## SNOW & ICE CONTROL

### FEATURES & BENEFITS:

- 1 Deep "C" A-Frame
- 2 (3) Adjustable pitch settings
- 3 5" X 5" x 3/8" hd square tube table, 90" wide push frame, and massive 3-1/2" round pivot bushing
- 4 (2) Telescopic trip bars, (8 or 10) extension trip springs and (4) 3" poly bushings for return trip cushions
- 5 (7) Table to moldboard hook-up points with 1-1/2" thick ribs, 3" bearing surface and 1-1/4" pins
- 6 Extended moldboard continuously welded
- 7 7" X 4" x 3/4" fully boxed bottom angle



## HIGH COUNTRY AIRPORT PLOW OPTIONS

### Plow Lift Options

- 1 Chain  
Level Raise Lift System  
Chain And Saddle  
Cable Wrap

### Plow Hook-Up Options

- Quick Attach Loop
- Swivel Bar With Push Ears  
(1- 1/4" Pins @ 30.5")
- Husting Style

- 2 QL2, UQH or Other

### Moldboard Options

- 3/4" Bottom Angle
- 3 7-Gauge Steel Construction  
Curb Cut (Mailbox Cut)  
Extra Ribs  
UHMW Poly Construction

### Table Options

- Extended Push Frame
- Manual Reverse

### Running Gear Options

- Standard Mushroom Shoes
- Heavy-Duty Mushroom Shoes
- 4 Heavy-Duty Even Wear Shoes  
Carbide Even Wear Shoes  
10" Steel Caster Wheels  
5.70" x 8" Pneumatic Tires  
Foam-Filled Rubber Tires  
Don't use with Cable Wrap Lift Assemblies

### Cutting Edge Options

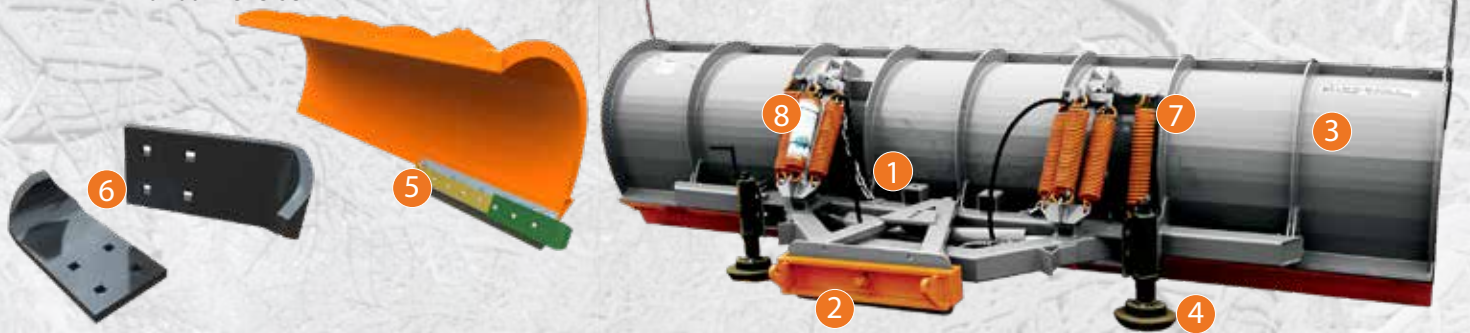
- High Carbon Steel
- Rubber
- UHMW Poly
- Carbide Insert with Cover Blade
- Flame Hardened
- 5 PolarFlex Systems  
All cutting edges available in various sizes

### Other Options

- Cushion Valve
- 6 Curb Shoes  
Blade Savers- Carbide  
Blade Guides  
Rubber Snow Deflector  
Plow Stand  
Extra Extension Trip Springs
- 7 Trip Options  
Extension Trip Moldboard
- 8 Compression Trip Moldboard  
Dual Moldboard & Trip Edge  
Torsion Trip Cutting Edge  
Slotted Trip

### Paint Options

- Special Paint Available



## HIGH COUNTRY AIRPORT PLOW STANDARD SPECIFICATIONS

Model Number:	16ST42MX1Q
Moldboard Thickness:	10 Gauge
Height:	42", 49" and 60"
Length:	14 - 20 foot
Moldboard Reinforcing:	(7 to 13) -1/2" x 3" Ribs
Adjustable Moldboard Pitch Setting:	35°, 25°, or 15° off vertical
Lower Reinforcing Angle:	7" x 4" x 1/2"
Reversing Frame:	5" x 3/8" Wall Front Push Tube
Reversing Cylinder:	4" Bore x 12" Stroke (2" Rod) Double Acting
Reversing Limits (left & right):	0 to 35 degrees
Plow to Table Hinge Points:	(5) 1-1/4" Hinge Pins, Spanning 90"
Cutting Edge:	5/8" x 6" High Carbon Steel Std. Punch
Pivot Pin:	1-1/2" Grade 8 Bolt
Cylinder Pins:	1-1/4" C1045 Steel Pins



www.bonnell.com • (800) 851-9664 • info@bonnell.com  
1385 Franklin Grove Rd. • Dixon, IL 61021



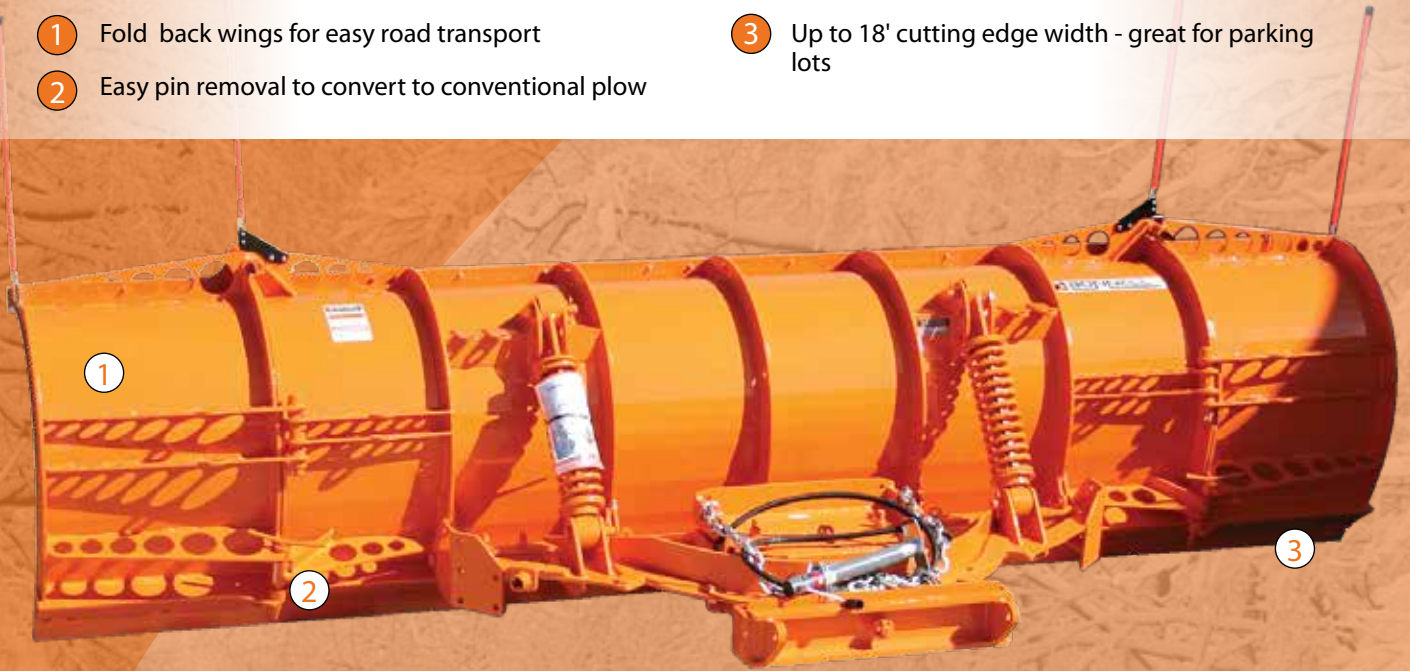
CERTIFIED BONNELL DEALER:

# BAT WING SNOW PLOW

SNOW & ICE CONTROL

## FEATURES & BENEFITS:

- 1 Fold back wings for easy road transport
- 2 Easy pin removal to convert to conventional plow
- 3 Up to 18' cutting edge width - great for parking lots



## BAT WING PLOW STANDARD SPECIFICATIONS

BASE PLOW WIDTH	EXTENSION WIDTH	TOTAL WIDTH
10'	24"	14'
11'	24" - 30"	15' - 16'
12'	24" - 36"	16' - 18'

**\* Not Available With All Plows\***

Call factory for complete specifications and optional equipment not listed. Weights do not include optional equipment.



Bonnell Bat Wing snow plow extensions provide that extra width for fast and efficient snow removal, while retaining the mobility necessary to travel from site to site. One pin operation provides simplicity for the operator to transform the plow into a width of 14' to 18' depending on the base length of the plow. Versatility is the name of the game, and Bonnell Industries can help you get the job done.



www.bonnell.com • (800) 851-9664 • info@bonnell.com  
1385 Franklin Grove Rd. • Dixon, IL 61021



**AUTHORIZED DEALER:**

# PUSH -N- PLOW SCOOP PLOW

ROAD MAINTENANCE

The **Bonnell Push 'N Plow**™ is specifically designed to eliminate spill-over and windrows, allowing you to finish your snow removal job faster and more efficiently. Get more jobs done in less time to make your operation more profitable. So put profit in your pocket, place the snow where you want it.



## PUSH -N- PLOW OPTIONS

- 1 Chain Binder Kit
- 2 Quick Couplers of your choice (ACS Pro Series 2000 shown)
- 3 Push-N-Plow Undertrailer Wing



### QUICK ATTACHMENT SYSTEM

The simple quick attachment system allows for easy, rapid connection and detachment meaning you will spend more time on the job, and less time getting ready for it!

## PUSH -N- PLOW SPECIFICATIONS

	LDP	BHP	SSP
Height	48"	36"	36"
Lengths Available	10' to 30'	10' to 14'	6' to 12'
Capacity	12 to 38 yards	9 to 13 yards	5 to 11 yards
Moldboard to End Plate Reinforcement	Two- 2-1/2" Pipes	Two- 2" Pipes	Two- 2" Pipes
Wear Shoe Material	1-1/4" x 4" AR400 Steel	1" x 4" AR400 Steel	1-1/4" x 4" AR400 Steel
Lifting Eyes	Yes	Yes	Yes
Finish	Caterpillar Yellow		
Endplate Construction	3/8" Endplate		
Wear Shoe Type	Bolt on Reversible/Replaceable		
Cutting	1 1/2" x 10" Adjustable Rubber (Punched to AASHTO Standard)		
Moldboard Constructions	Continuously Welded 3/16" Double-Paneled		



### MODEL SSP

Designed to fit current models with Quick Attach System



### MODEL BHP

2-1/2" Schedule 40 pipe continuously welded to 1" steel plates and reinforced with 3/8" plate gussets.



### MODEL LDP

3" Schedule 40 pipe continuously welded to 1-1/4" steel plates and reinforced with 3/8" plate gussets. ACS, JRB & Balderson Hook Ups (Available Upon Request.)



www.bonnell.com • (800) 851-9664 • info@bonnell.com  
1385 Franklin Grove Rd. • Dixon, IL 61021



**AUTHORIZED DEALER:**

# RAMP HOG PUSH -N- PLOW

ROAD MAINTENANCE

**The Bonnell Push 'N Plow™** is specifically designed to eliminate spill-over and windrows, allowing you to finish your snow removal job faster and more efficiently. Get more jobs done in less time to make your operation more profitable. So put profit in your pocket, place the snow where you want it.



## RAMP HOG PUSH -N- PLOW OPTIONS

- 1 Chain Binder Kit
- 2 Quick Couplers of your choice (CAT® Fusion™ Coupler shown)

### QUICK ATTACHMENT SYSTEM

The simple quick attachment system allows for easy, rapid connection and detachment meaning you will spend more time on the job, and less time getting ready for it!



## RAMP HOG PUSH -N- PLOW SPECIFICATIONS

Height	57"
Lengths Available	14' to 30'
Capacity	Up to 45 yards
Wear Shoe Material	1-1/4" x 4" AR400 Steel, Bolt On
Finish	Catepillar Yellow
Endplate Construction	3/4" Endplate, Bolt On
Cutting	1 1/2" x 10" Adjustable Rubber (Punched to AASHTO Standard)
Moldboard Constructions	Continuously Welded 10 Ga. with 3/8" Ribs every 2'
Lower Reinforcement	Full length triple cross-member: : L8 x 6 x 1/2" & L7 x 4 x 1/2" & L8 x 6 x 3/8" tube

**RH-30 Ramp Hog Model  
With CAT® Fusion™ Coupler**



www.bonnell.com • (800) 851-9664 • info@bonnell.com  
1385 Franklin Grove Rd. • Dixon, IL 61021



**AUTHORIZED DEALER:**