

"Demanded by Those Who Know Quality"

METROPOLITAN SNOW PLOW

STMX7, STMC7, SPMX7, SPMC7, STTT7, SPTT7, STMXTT7, SPMXTT7, STMCTT7, SPMCTT7

S T A N D A R D F E A T U R E S :

4" x 4" x $\frac{3}{8}$ " Tube Push Frame spanning 90"

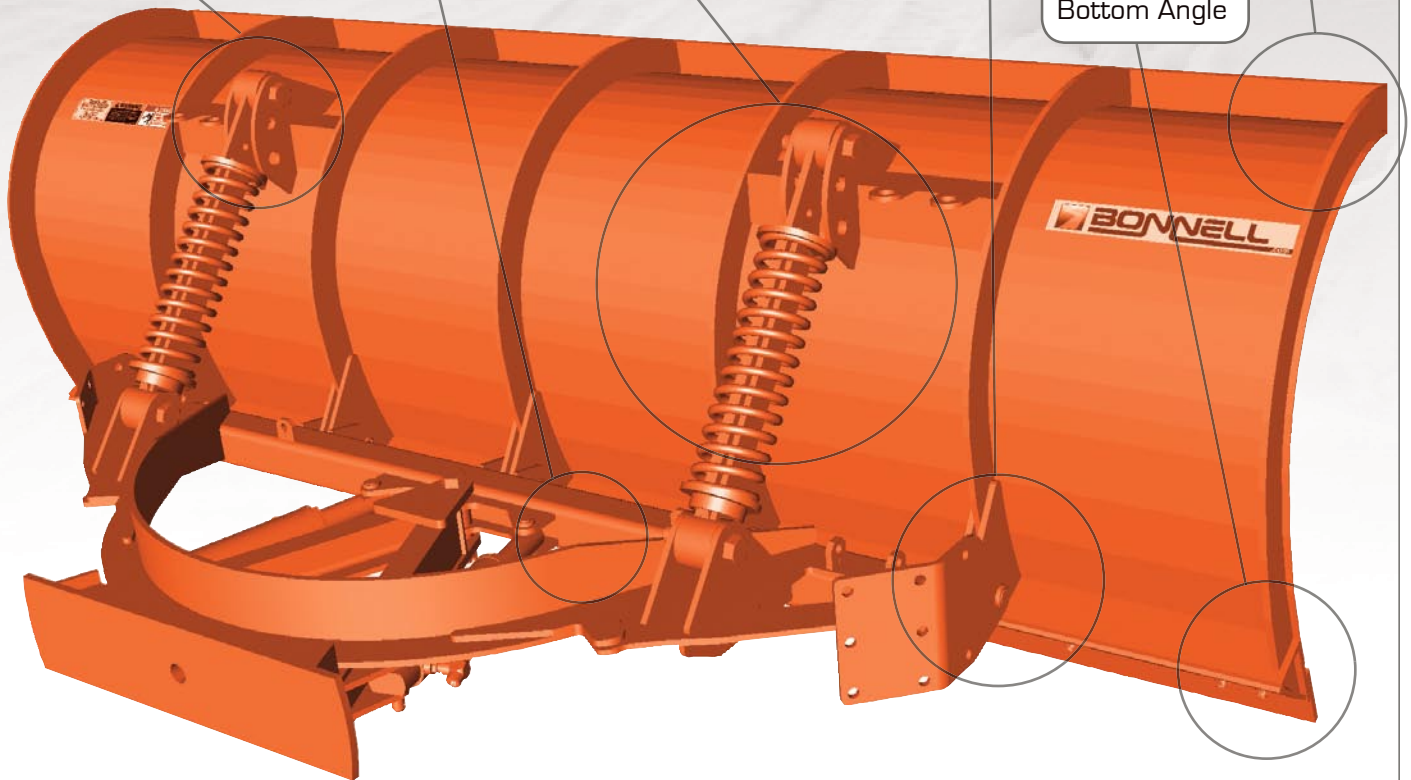
[5] Table to Moldboard Hook-Up Points with 1- $\frac{1}{2}$ " Thick Ribs, 3" Bearing Surface and 1- $\frac{1}{4}$ " Pins

[3] Adjustable Pitch Settings

[2] Compression Trip Bars, with 3" Rubber Bushings Top & Bottom for Return Trip Cushion

Extended Roll Moldboard Continuously Welded

7" x 4" x $\frac{1}{2}$ " Fully Boxed Bottom Angle



The Bonnell Metropolitan Straight Moldboard Snowplow in either steel or polyethylene is specifically designed to efficiently remove snow in and around obstructions often found in urban areas.

All models feature a moldboard adjustable in pitch to three different angle settings. Proper moldboard position is assured through the use of two rugged compression springs which retain their integrity longer than ordinary extension springs.

This plow is light in weight yet rugged in design, with strength where you need it. The moldboard has a built-in extended rolled top which provides a continuation of the curve, deflecting the snow down and away, greatly improving vision which results in better maintenance and greater safety. With our wide range of available options, you can tailor the Metropolitan plow to fit your exact needs.

Metropolitan Snow Plow Specifications

MODEL NUMBER	LENGTH	HEIGHT	CUTTING SWATH @ 35 DEGREES	APPROX. WEIGHT	NUMBER OF SPRINGS
10ST36MC7	10' 0"	36"	8' 2"	1693	2
11ST36MC7	11' 0"	36"	9' 0"	1758	2
12ST36MC7	12' 0"	36"	9' 10"	1823	2
10ST42MC7	10' 0"	42"	8' 2"	1785	2
11ST42MC7	11' 0"	42"	9' 0"	1852	2
12ST42MC7	12' 0"	42"	9' 10"	1919	2

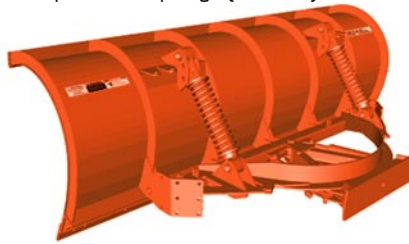
Call factory for complete specifications and optional equipment not listed. Weights do not include optional equipment.

Moldboard Thickness:	10 Gauge
Moldboard Reinforcing:	(7) - 1/2" x 3" Ribs
Adjustable Moldboard Pitch Settings:	25°, 15° or 5° off vertical
Lower Reinforcing Angle:	7" x 4" x 1/2" Fully Boxed with 3/8" x 6-3/4" Plate
Reversing Frame:	5" x 3-1/2" x 1/2" Angle Iron Sector
Reversing Cylinders:	Chrome 3" Bore x 10" Stroke [2" Rod] Double Acting
Reversing Limits (left & right):	0 to 35 degrees with Positive Stops
Plow to Table Hinge Points:	(5) 1-1/4" Hinge Pins, Spanning 90" with 3" Bearing
Cutting Edge:	5/8" x 6" High Carbon Steel Std. Punch
Pivot Pin Table to Moldboard:	1-1/4" Grade 8 Bolt
Cylinder Pins:	1" C1045 Steel Pins

10-Gauge Steel Construction
with Extension Springs (STMX7)



10-Gauge Steel Construction
with Compression Springs (STMC7)



UHMW Poly Construction
with Extension Springs (SPMC7)



10-Gauge Steel Construction
with Torsion Trip (STTT7)



Sold By:



1385 Franklin Grove Rd. • Dixon, IL 61021 • www.bonnell.com
(815) 284-3819 • (800) 851-9664 • Fax (815) 284-8815

Bonnell Industries reserves the right under its product improvement policy to change construction or design details and furnish equipment when so altered without reference to illustrations or specifications used herein.
© 2006 Bonnell Industries, Inc. | 0306

Metropolitan Options

Plow Lift Options

- Chain
- Level Raise Lift System™
- Chain and Saddle
- Cable Wrap



Plow Hook-Up Options

- Quick Attach Loop
- Swivel Bar with Push Ears (1-1/4" pins @ 30.5")
- Husting Style
- Custom Application



Running Gear Options

- Standard-Duty Mushroom Shoes
- Heavy-Duty Mushroom Shoes
- Heavy-Duty Even Wear Shoes
- Carbide Even Wear Shoes
- 10" Steel Caster (Kingpinless) Wheels
- 5.70 x 8.0 Pneumatic Tires*
- Foam-Filled Rubber Tires*



*Should not be used with
Cable Wrap Lift Assemblies

Moldboard Options

- 3/4" Bottom Angle
- 7-Gauge Steel Construction
- Cove Cut (Mailbox Cut)
- Extra Ribs
- UHMW Poly Construction
- Special Sizes Available

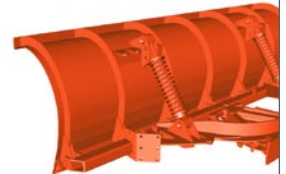


Tripping Options

- Extension Trip Moldboard
- Compression Trip Moldboard
- Torsion Trip Cutting Edge
- Dual Trip Moldboard & Cutting Edge

Table Options

- Extended Push Frame
- Manual Reverse
- Power Reverse

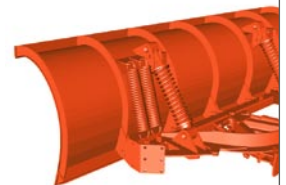


Cutting Edge Options

- High Carbon Steel
 - Rubber
 - UHMW Poly
 - Carbide Insert with Cover Blade
 - Flame Hardened
 - Joma Black Cat Blades
- All cutting edges available in various sizes

Other Options

- Cushion Valve
- Curb Shoes
- Blade Savers - Carbide
- Blade Guides
- Rubber Deflector
- Plow Stand
- Nitrited Cylinders
- Extra Extension Trip Springs



Paint Options

- Special Paint Available

