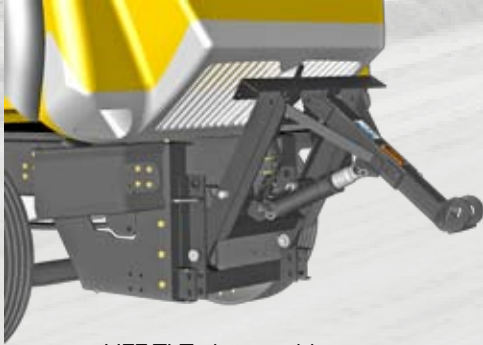


*"Demanded by Those Who Know Quality"*

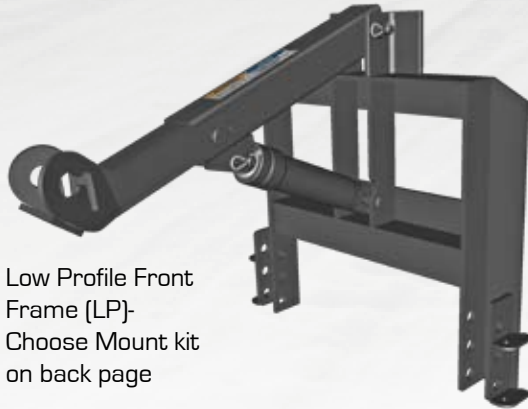
# SNOW PLOW HITCHES



HFF-TLT shown with tilting truck grille



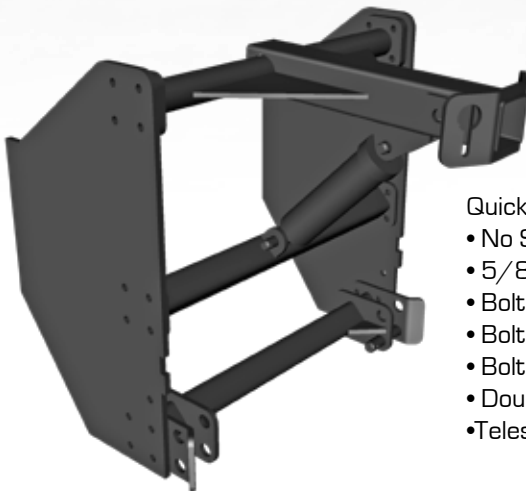
Tilt Front Frame (TLT)-  
Choose Mount kit on  
back page



Low Profile Front  
Frame (LP)-  
Choose Mount kit  
on back page



HFF-LP shown with  
stationary truck grille



- Quick Plate Hitch Kit:
- No Separate Front Frame
  - 5/8 side plates
  - Bolt on greasable lift arm
  - Bolt on cylinder mount
  - Bolt on receiver section
  - Double Acting Lift Arm
  - Telescopic Lift arm



QP Hitch  
mounted to factory  
frame extensions

When it comes to carrying your equipment from the front of your vehicle - never compromise - choose Bonnell. We offer a variety of hitches to fit a wide range of applications - tilt out, or low profile, custom

side plate or universal mount, Bonnell has the hitch for your application. When you need quality and reliability you must specify Bonnell.

# Snow Plow Hitch Mounting (use with Bonnell QX, TLT, or LP front frame)



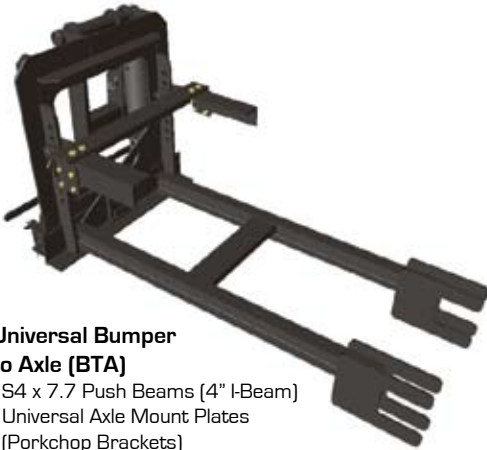
## Heavy Front Frame (HFF)

- Custom fit 1/2" thick A-36 side plates (5/8" plate optional)
- Minimum (7) 5/8" Grade 8 bolts & lock nuts per side
- Easy to install tow hook-holes are pre-drilled



## Universal Bumper to Frame (UBF)

- Heavy duty 1" x 4" push arms
- Universal frame mount Z-Iron brackets



## Universal Bumper to Axle (BTA)

- S4 x 7.7 Push Beams (4" I-Beam)
- Universal Axle Mount Plates (Porkchop Brackets)
- Quickly removed from truck with the pull of two pins



## Universal Side Plate (USP)

- Heavy duty universal 5/8" side plates
- Universal frame mount Z-Iron brackets



QX Low Profile Hitch

Level Raise Lift System™



Use the QX Hitch for trucks with stationary grills, with or without front mount pumps, and with QA Receiver Hookup or Two Pin-Swivel Bar Hookup is required.

Use the Level Raise Lift System™ with the QX Hitch for a Quality Combination

See QX Hitch and Level Raise Lift System Literature for more information.

Sold By:



1385 Franklin Grove Rd. • Dixon, IL 61021 • www.bonnell.com  
 (815) 284-3819 • (800) 851-9664 • Fax (815) 284-8815

Bonnell Industries reserves the right under its product improvement policy to change construction or design details and furnish equipment when so altered without reference to illustrations or specifications used herein. © 2006 Bonnell Industries, Inc.

# Hitch Options

## Plow Hookup Options

- Quick Attach Receiver
- Flink Style QL2
- Henke, Monroe, Root Style UGH
- Husting



## Light Bracket Opt

- Grill Mount Certain Models Only
- Hitch Mount (Tilt Hitch Only)
- Hood Mount



## Cylinder Options

- 2-1/2" x 10" Single Acting
- 3" x 10" Single Acting
- 3" x 10" Single Acting Nitrated
- 4" x 10" Double Acting
- 4" x 10" Double Acting Nitrated

## Heavy Equipment Mounts

- John Deere Scarifier
- ACS
- CAT IT Hooks
- Balderson Hooks



## Other Options

- Cushion Valve
- Bumper Boxes
- Channel Bumpers

